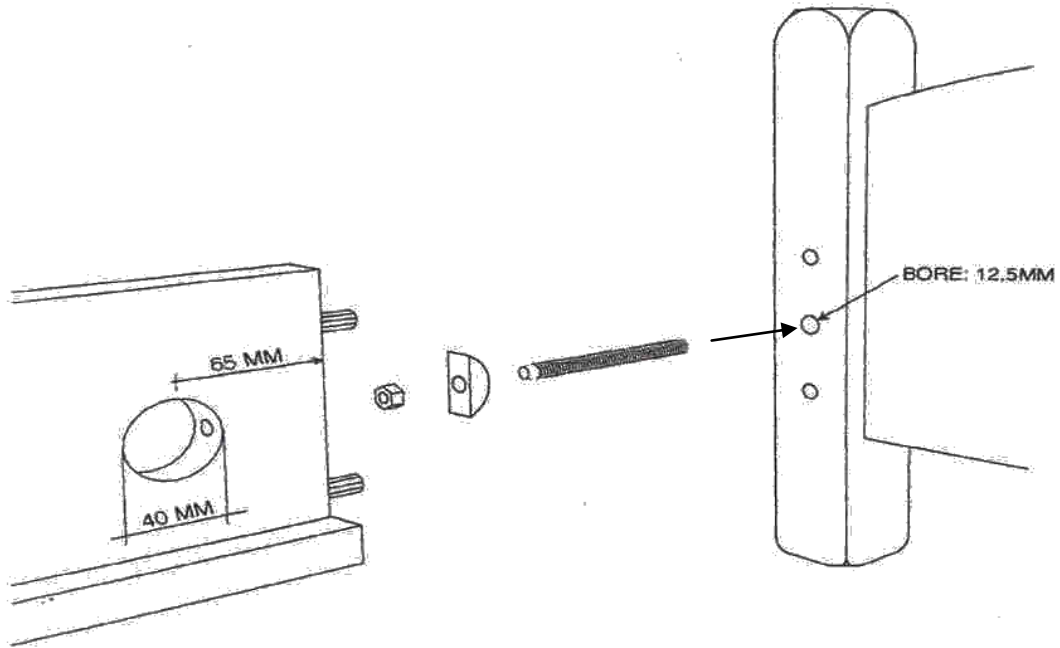


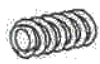

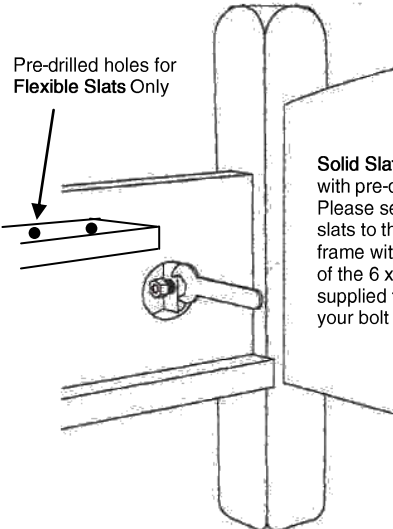




BED ASSEMBLY INSTRUCTIONS



DOWELS NOT INCLUDED

<p>MAXI LUNA WASHER BORE: 40MM DIAMETER THICKNESS: 15MM MATERIAL: DIE CAST</p>  <p>THREADED BOLT M8 X 95MM CONED ENDS YZP</p>  <p>SCREW IN BUSHING TYPE: BL-830 - YZP DIAMETER: 15MM X 30MM THREAD: M8 X 20MM Please Note: This part is inserted during the manufacturing process.</p>  <p>HEXAGONAL NUT M8 - YZP</p> 	<p>Pre-drilled holes for Flexible Slats Only</p>  <p>Solid Slats will come with pre-drilled holes. Please secure the slats to the bed frame with the help of the 6 x Screws supplied to you in your bolt bag.</p>
<p>3/S - EAB SPANNER M8 / 13MM FLAT - OPEN END</p> 